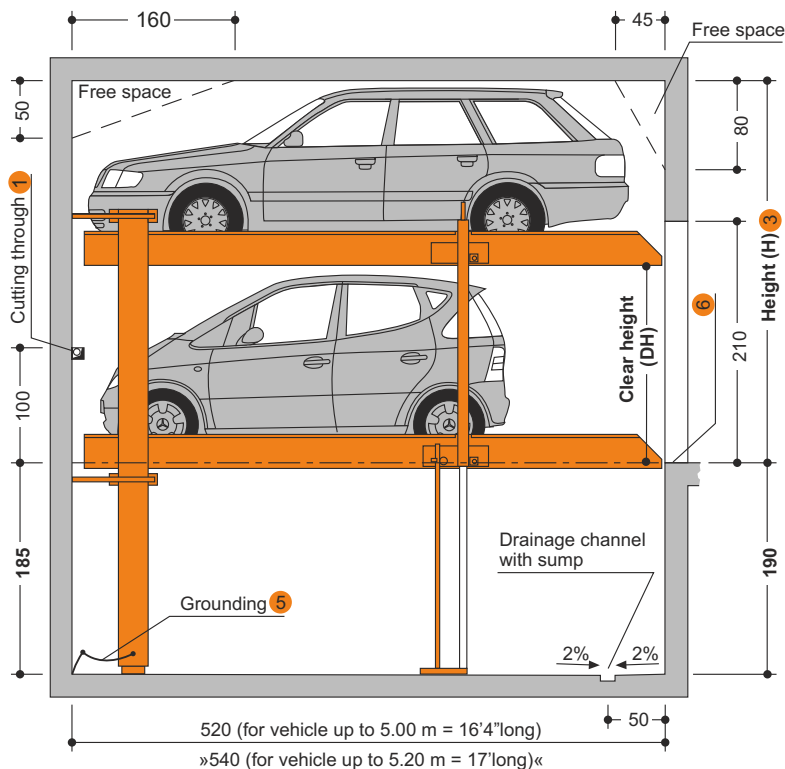
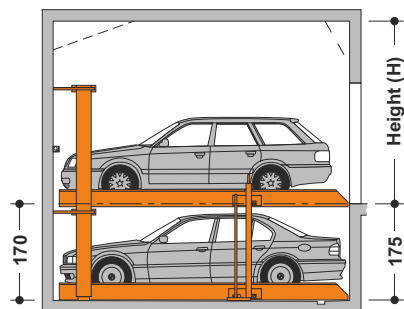


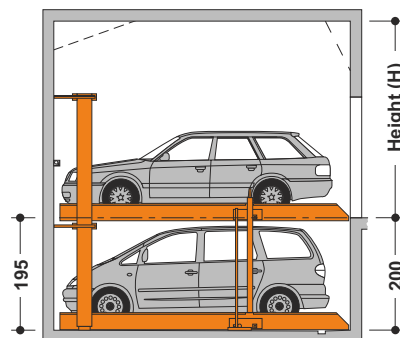
Standard type 2062-185



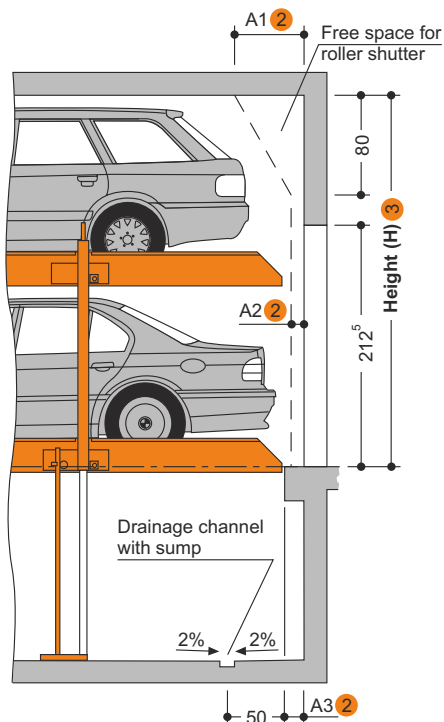
Compact type 2062-170



Exclusive type 2062-195



Garage with door in front of the car parking system



Notes

- For dividing walls: cutting through 10 x 10 cm (for pipes).
- Dimensions A1, A2 and A3 must be coordinated with the door supplier.
- If the total height is greater, the max. vehicle height for the upper parking space increases accordingly.
- For the greatest possible ease-of-use, we recommend platform width of 250 to 270 (EB) or 500 (DB).
- Potential equalization from foundation grounding connection to system.
- 10 cm wide yellow-black markings must be applied by the customer to the edge of the pit in the entry area to mark the danger zone (see «load plan» page 3).

Attention

For cars up to a length of 5.20m please note:
Pit length 5.40 m (with towbar 5.50 m), max. authorized loading 2000 kg (wheel load max. 500 kg), usable platform width 2.50-2.70m.
Only Stack Parker 2062-170/185/195 EB is possible. special model.

PRODUCT DATA

Stack Parker 2062

Dimensions

All space requirements are minimum finished dimensions. Tolerances for space requirements ± 0.3 . Dimensions in cm.
EB (single platform) = 2 vehicles
DB (double platform) = 4 vehicles

Type	H	DH**
2062-170	325	156
2062-185*	340	171
2062-195	350	181

*=standard type

**=without car

Suitable for

Standard passenger car and station wagon. Height and length according to contour.

Type	H	car height	
		Upper	Lower
2062-170	325	150	150
2062-185*	340	150	165
2062-195	350	150	175

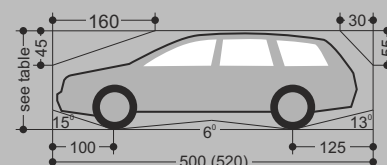
*=standard type

Width 1.90 m (PW 2.3 m)

Weight max. 2000 kg

Wheel load max. 500 kg

Clearance profile



KLAUS
multiparking

KLAUS Multiparking Systems Pvt. Ltd.
5/3, Prashant Apartments, Erandwane,
Pune 411 004 INDIA

Phone **+91-20-2545 0378 / 8662**

Fax **+91-20-2544 6360**

E-mail **info@klausmultiparking.in**
Website **www.klausindia.com**

Page 1
-Section
-Dimensions
-Car data

Page 2
-Width dimension

Page 3
-Approach
-Load plan

Page 4
-Installation
-Electrical Installation

Page 5
-Technical data
-To be performed by the customer
-Description

Width for basement garage

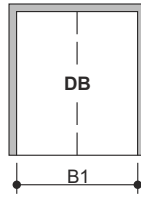
Dividing walls

Single platform (EB)



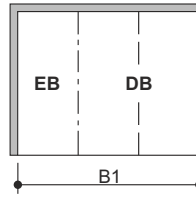
Usable platform width	B1	
230*	260	
240	270	
250	280	
260	290	
270	300	

Double platform (DB)



Usable platform width	B1	
460*	490	
470	500	
480	510	
490	520	
500	530	

Single and double platform (EB + DB) - Example

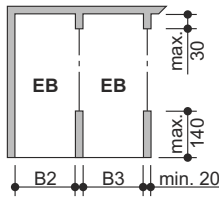


Usable platform width	B1	
230 + 460*	750	
240 + 470	770	
250 + 480	790	
250 + 500	810	
270 + 500	830	

Driveway in accordance with local regulations

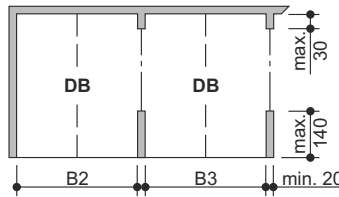
Columns in pit

Single platform (EB)



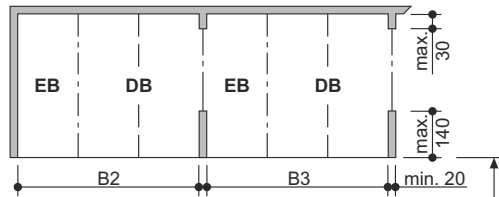
Usable platform width	B2	B3
230*	255	250
240	265	260
250	275	270
260	285	280
270	295	290

Double platform (DB)



Usable platform width	B2	B3
460*	485	475
470	495	485
480	505	495
490	515	505
500	525	515

Single and double platform (EB + DB) - Example

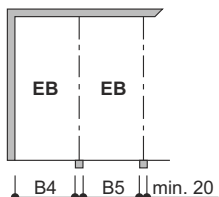


Usable platform width	B2	B3
230 + 460*	745	735
240 + 470	765	755
250 + 480	785	775
250 + 500	805	795
270 + 500	825	815

Driveway in accordance with local regulations

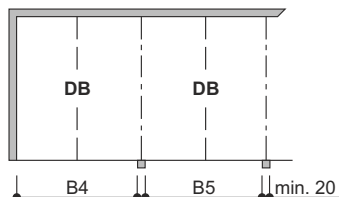
Columns outside pit

Single platform (EB)



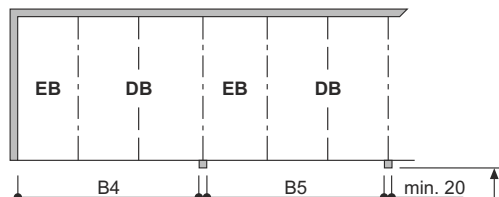
Usable platform width	B4	B5
230*	250	240
240	260	250
250	270	260
260	280	270
270	290	280

Double platform (DB)



Usable platform width	B4	B5
460*	480	470
470	490	480
480	500	490
490	510	500
500	520	510

Single and double platform (EB + DB) - Example

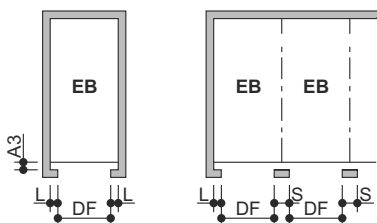


Usable platform width	B4	B5
230 + 460*	740	730
240 + 470	760	750
250 + 480	780	770
250 + 500	800	790
270 + 500	820	810

Driveway in accordance with local regulations

Width for garage with door in front of car parking system

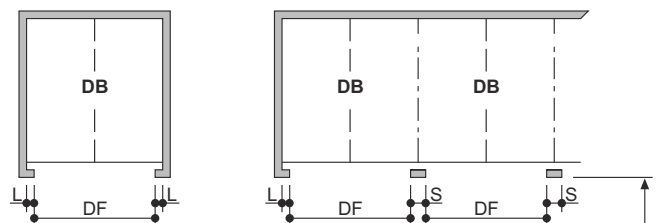
Single platform (EB)



Usable platform width	Door entrance width DF	L	S
230*	237 ^s	12 ^s	25
240	250	12 ^s	25
250	250	15	30
260	260	15	30
270	270	15	30

A3 = seat-engaging surface (dimensions require coordination with door supplier.)
All round door dimensions require coordination between door supplier and local agency of KLAUS Multiparking.

Double platform (EB)



Usable platform width	Door entrance width DF	L	S
460*	460 ¹	15	30
470	475	12 ^s	25
480	475	17 ^s	35
490	500	12 ^s	25
500	500	15	30

Driveway in accordance with local regulations

* = standard width (parking space width 2.30 m)

¹ = no standard width for doors.

Please note:

! End parking spaces are generally more difficult to drive into. Therefore we recommend for end parking spaces of wider platforms. Parking on standard width platforms with larger vehicles may make getting into and out of the vehicle difficult. This depends on type of vehicle, approach and above all on the individual driver's skill.

Page 1
-Section
-Dimensions
-Car data

Page 2
-Width dimension

Page 3
-Approach
-Load plan

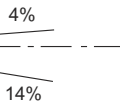
Page 4
-Installation
-Electrical Installation

Page 5
-Technical data
-To be performed by the customer
-Description

Approach

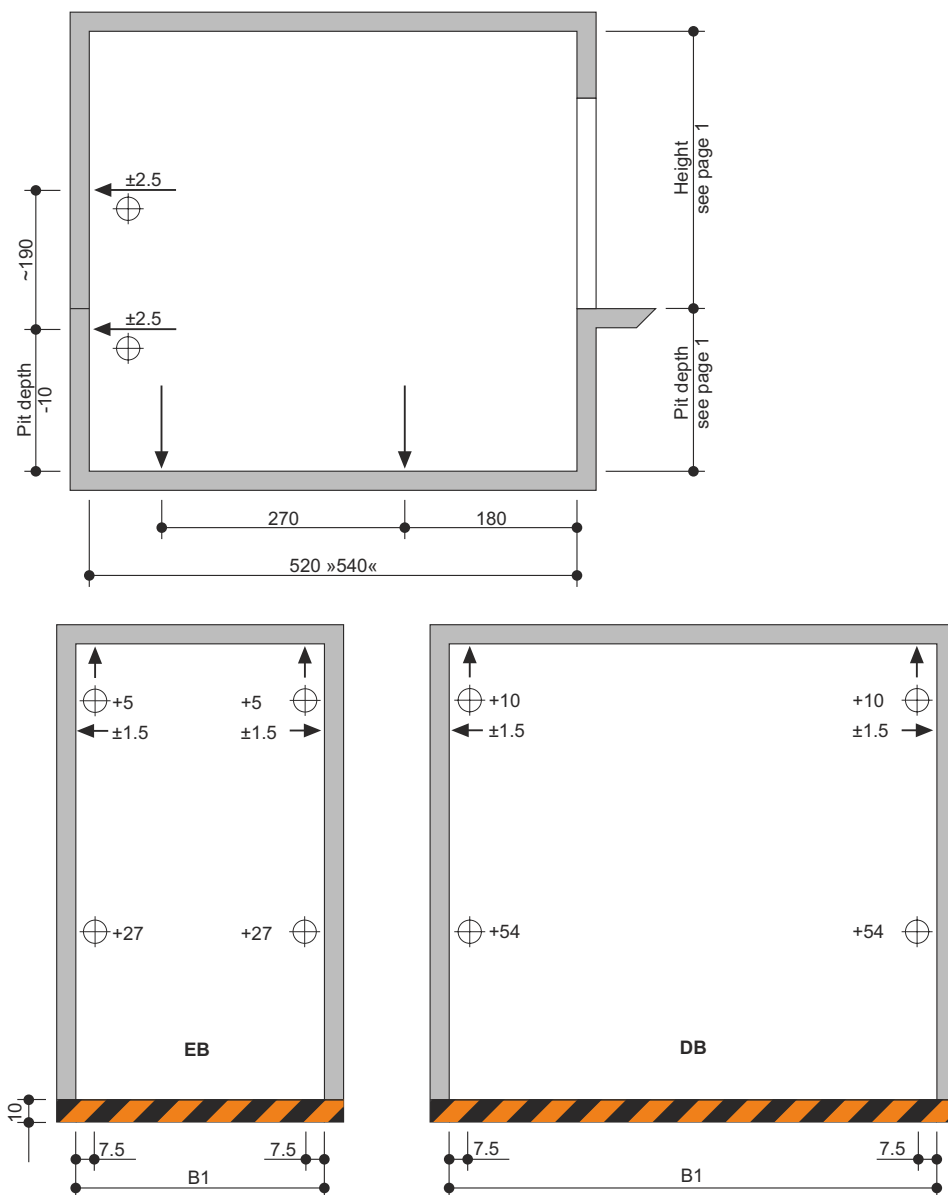


The illustrated maximum approach angles must not be exceeded. Incorrect approach angles will cause serious maneuvering & positioning problems on the parking system for which the local agency of KLAUS Multiparking accepts no responsibility.



Load plan

Forces in kN (static loads)



Units are doweled to the floor. Drilling depth: approx. 15 cm.

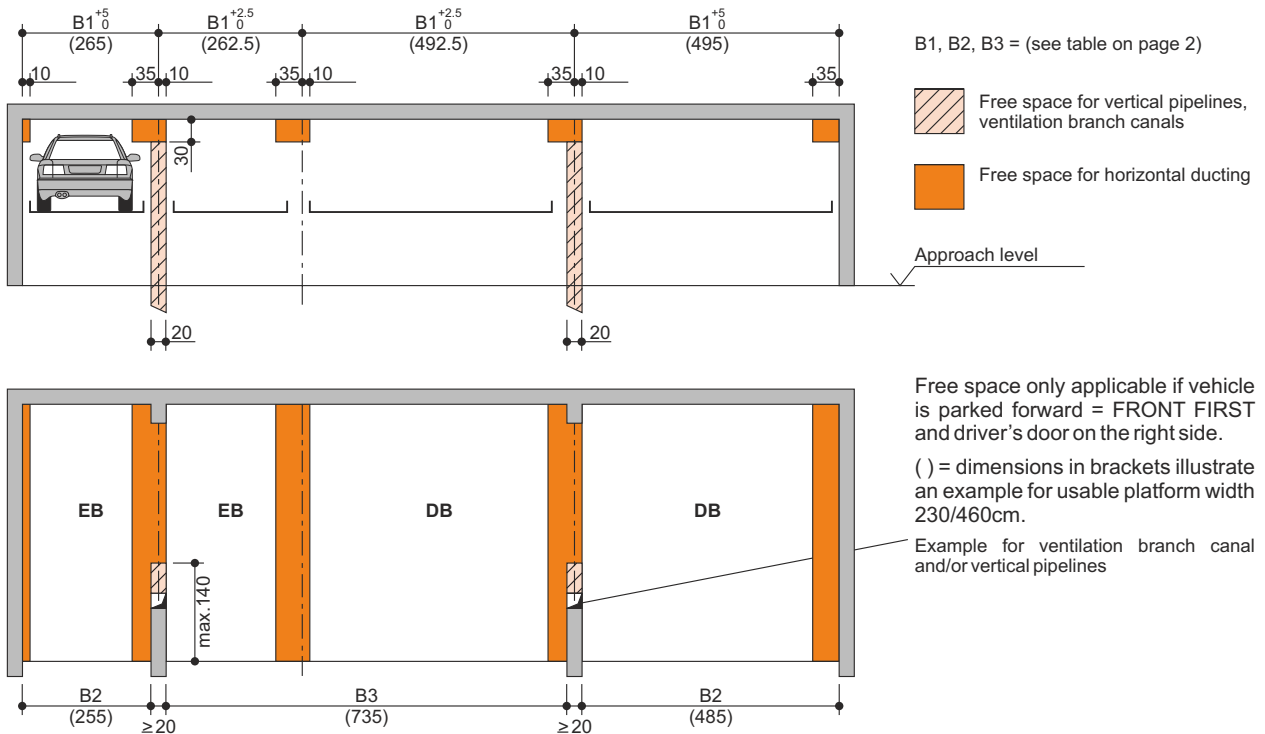
Floor and walls below the drives-in level are to be made of concrete (quality minimum C20/25)!

* = Colors used in this illustration are representative

- Page 1
- Section
- Dimensions
- Car data
- Page 2
- Width dimension
- Page 3
- Approach
- Load plan
- Page 4
- Installation
- Electrical Installation
- Page 5
- Technical data
- To be performed by the customer
- Description

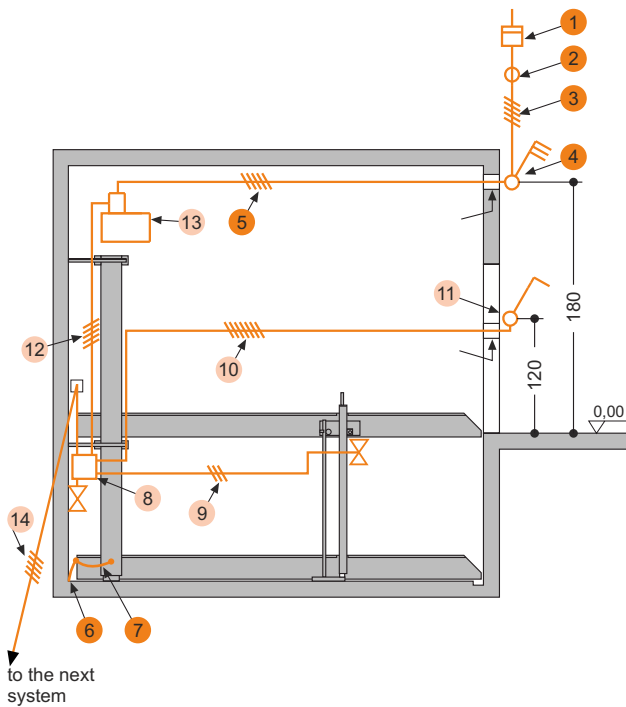
Installation data

Free space for longitudinal and vertical ducts (e.g. ventilation)



Electrical installation

Installation diagram



Electrical data (to be performed by the customer)

No.	Quantity	Description	Position	Frequency
1	1	Electricity meter	In the supply line	
2	1	Main power point: 4 pole RCBO (or MCB + ELCB), 16 Amp IDN (sensitivity/leakage current) 100 mA	In the supply line	1 per unit
3	1	Supply line 5 x 4.0mm ² , copper (3PH + N + PE) with marked wire and protective conductor	To main switch	1 per unit
4	1	N.A.		
5	1	Supply line 5 x 4.0mm ² (3PH + N + PE) with marked wire and protective conductor	From main switch to unit	1 per unit
6	every 10 m	Foundation earth connector	Corner pit floor	
7	1	Equipotential bonding from foundation earth connector to the system		1 per system

Electrical data (included in delivery of KLAUS Multiparking)

No.	Description
8	Terminal box
9	Control line 3 x 0.75 mm ² (PH + N + PE)
10	Control line 5 x 0.75 mm ² with marked wire and protective conductor
11	Operating device
12	Control line 5 x 0.75 mm ² with marked wire and protective conductor
13	Hydraulic unit 3.0 kW, three-phase current, 415 V / 50 Hz
14	Control line 5 x 0.75 mm ² with marked wire and protective conductor

Technical data

Range of application

Generally parking system is suitable for same car for which wheel stop is adjusted at the time of installation. In case different car is to be parked, wheel stop adjustment/confirmation from KLAUS Multiparking shall be required.

Available documents

- Wall recess plans
- Maintenance offer/contract

Corrosion protection

See separate sheet regarding corrosion protection.

Railings

If the permissible drop opening is exceeded, railings are to be mounted on the systems. If there are traffic routes next to or behind the installations, railings must be installed by the customer. Railings must also be in place during construction.

Environmental conditions

Environmental conditions for the area of multiparking systems: Temperature range 5°C to +40°C. Maximum outside temperature of +45°C.

If the local circumstances differ from the above, please contact KLAUS Multiparking.

Page 1
-Section
-Dimensions
-Car data

Page 2
-Width
-dimension

Page 3
-Approach
-Load plan

Page 4
-Installation
-Electrical
-Installation

Page 5
-Technical
-data
-To be
-performed
-by the
-customer
-Description

To be performed by the customer

Safety fences

Any constraints that may be necessary in order to provide protection for the park pits for pathways directly in front, next to or behind the unit. This is also valid during construction.

Numbering of parking spaces

Consecutive numbering of parking spaces.

Building services

Lighting, ventilation, fire extinguishing and fire alarm systems.

Drainage

For the front area of the pit we recommend a drainage channel, which you connect to a floor drain system or sump (50 x 50 x 20 cm). The drainage channel may be inclined to the side, however not the pit floor itself (longitudinal incline is available). For reasons of environmental protection we recommend to paint the pit floor, and to provide oil and petrol separators in the connections to the public sewage network.

Strip footings

If due to structural conditions strip footings must be effected, the customer shall provide an accessible platform reaching to the top of the said strip footings to enable and facilitate the mounting work.

Marking

A warning that identifies this danger area must be placed in the entrance area. This must be done for systems with a pit (platforms within the pit) 10 cm from the edge of the pit.

Wall cuttings

Any necessary wall cuttings according to page 1.

Electrical supply to the power point

A 3 phase, 415 V ($\pm 10\%$) 50 Hz ($\pm 2\%$) 4 wire (3 PH + N + PE) electrical supply to the main power point and the control wire line (5 x 2.5 mm², copper 3 PH + N + PE) with marked wire and protective conductor must be provided by customer during installation.

The functionality can be monitored on site by our filters together with the electrician. If this cannot be done during installation for some reason for which the customer is responsible, the customer must commission an electrician at his own expense and risk.

Description Single platform (EB) and Double platform (DB)

General description

Multiparking system providing independent parking spaces for 2 cars (EB), 2 X 2 cars (DB), one on top of the other each.

Dimensions are in accordance with the underlying dimensions of parking pit, height and width

Parking bays are accessed horizontally (installation deviation $\pm 1\%$).

Vehicles are positioned on each parking space using wheel stops on the left side (adjust according to operating instructions).

The user is responsible for positioning the vehicle.

Operation via operating device with hold-to-run-device using master keys.

The operating elements are usually mounted either in front of the column or on the outside of the door frame

Operating instructions are attached to each operator's stand.

For safety reasons, it is recommended to install safety doors at the entrance.

For garages with doors at the front of the parking system, special dimensional requirements have to be taken into account.

Multiparking system consists of

- 2 steel pillars (mounted on the floor)
- 2 sliding platforms (mounted to the steel pillars with sliding bearings)
- 2 platforms
- 1 mechanic synchronization control system (to ensure synchronous operation on the hydraulic cylinders while lowering and lifting the platform)
- 2 hydraulic cylinder
- 2 rigid supports (connect the platforms)
- 2 chains and sprocket wheels
- 1 automatic hydraulic safety valve (prevents accidental lowering of the platform while accessing the platform)
- Dowels, screws, connecting elements, bolts, etc.
- Platforms and parking spaces are end-to-end accessible for parking.

Platforms consist of

- Platform base sections
- Adjustable wheel stops
- Canted access plates
- Side members
- Central side member (only DB)
- Cross members (DB long and short cross members)
- Safety railings - along the upper and lower platform (if required)
- Screws, nuts, washers, distance tubes, etc.

Hydraulic system consists of

- Hydraulic cylinder
- Solenoid valve
- Safety valve
- Hydraulic pipe & fittings
- Screwed joints
- High-pressure hoses
- Installation material

Electric system consists of

- Operating device (Emergency Stop, lock, 1 master key per parking space)
- Terminal box at wall valve

Hydraulic unit consists of

- Hydraulic power unit (low-noise, installed onto a console with a metal mounting)
- Hydraulic oil reservoir
- Oil filling
- Internal geared wheel pump
- 3-phase-AC-motor (3.0 kW, 415 V, 50 Hz)
- Pressure gauge
- Pressure relief valve
- Hydraulic hoses (which reduce noise transmission onto the hydraulic pipe)

We reserve the right to change these specifications without prior notice.

KLAUS Multiparking reserves the right in the course of the technical progress to use newer or other technologies, system, processes, procedures or standards in the fulfillment of their obligations other than those originally offered.