

Product data

Dimensions, Technical Information and Performance Specification



spacevario CP61



Table of contents

Explanation of symbols.....	2	Loading schedule and strutting.....	7
Parking positions.....	2	Access incline.....	8
Dimensions and tolerances.....	2	Clearances for installations.....	8
Overview of building configuration.....	3	Electrical installation.....	9
Vehicle data.....	3	Technical information.....	10
Overview of system types & ceiling heights.....	4	Performance specification.....	11
Width dimensions.....	5	Services to be provided by the customer.....	12
Width dimensions with door.....	5	Subject to technical changes.....	12
Width dimensions without door.....	6		

Explanation of symbols



Platforms accessible horizontally.



Outdoor installation



Max. load per parking space in kg.



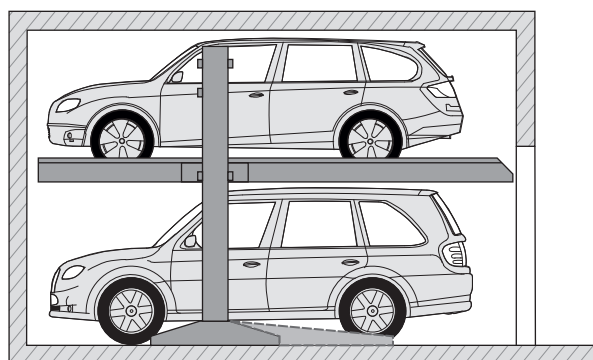
The systems provided are consistent with DIN EN 14010 and the EC Machinery Directive 2006/42/EC. This system has also undergone a voluntary compliance test conducted by TÜV SÜD.



This system has also undergone a voluntary compliance test conducted by TUV SÜD

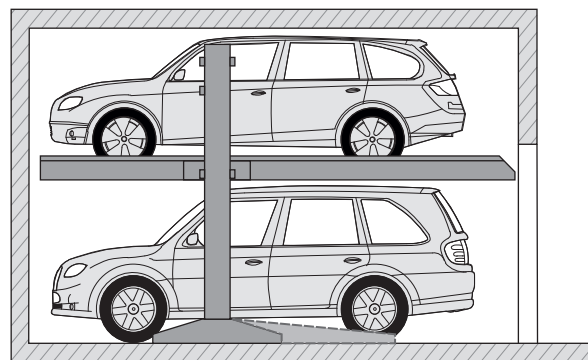
Parking positions

Lower parking space



The lower vehicle can park in or leave the parking space.

Upper parking space



The upper vehicle can park in or leave the parking space.

Dimensions and tolerances



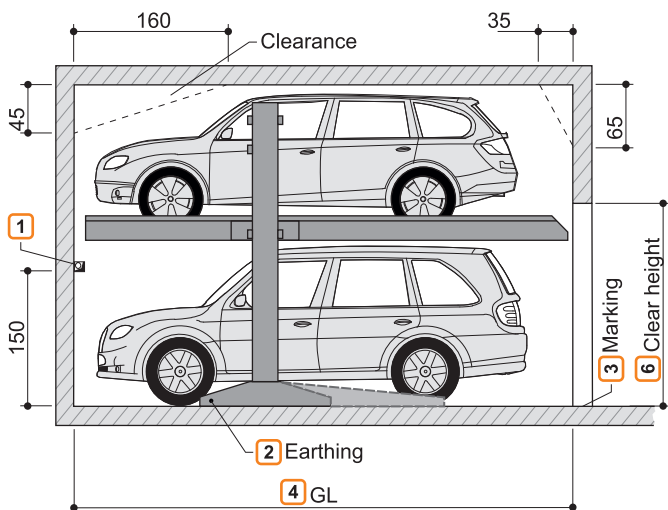
All dimensions and minimum final dimensions.

Tolerance for dimensions +3/-0. Dimensions in cm.

In order to adhere to the minimum final dimensions, the tolerances in accordance with the German Construction Tendering and Contract Regulations [VOB], Part C (DIN 18330 and 18331) and DIN 18202 must also be taken into account.

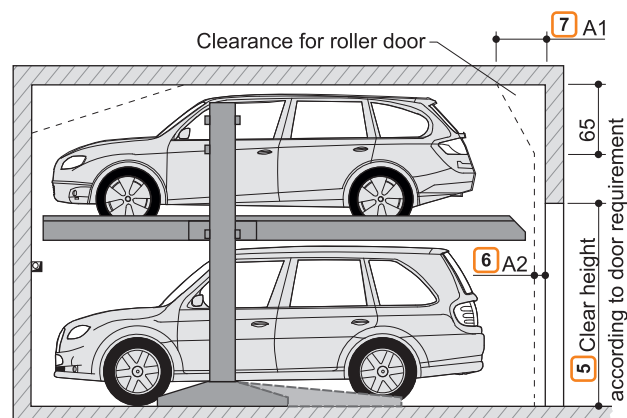
Overview of building configuration

Building configuration without door



- 1 With dividing walls: Wall opening 10 x 10 cm.
- 2 Equipotential bonding from foundation earth connection to system (to be provided by the customer).
- 3 In accordance with DIN EN 14010, the customer must provide 10 cm wide, yellow/black marking in accordance with DIN ISO 3864, in the access area in front of the contact area of the upper platform edge to identify the hazard area. (see "Loading schedule & strutting", page 7).

Building configuration with door



- 4 GL = building length
 - 520 cm for vehicles up to 5.0 m long
 - Shorter versions are possible on request - observe local regulations on parking space lengths.
- 5 Clear height in accordance with local regulations. Maximum vehicle height + 10 cm.
- 6 Dimensions A1 and A2 must be coordinated between the door manufacturer and the customer.



The lower vehicle must exit before the platform is lowered.

Vehicle data

Version

SP (single platform) = 2 vehicles

Parking options

Series vehicles:

Saloon, estate, SUV, van in accordance with clearance gauge and maximum parking space load.

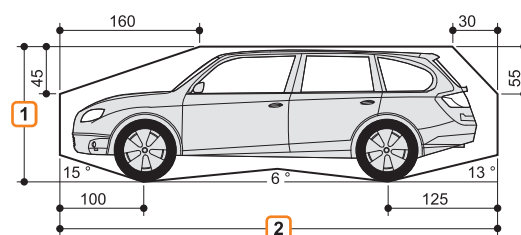
	SP	
Weight 3	2600 kg	2000 kg
Wheel load	650 kg	500 kg

For countries in which snow load need to be taken into account the parking option on the upper parking space is reduced in accordance with table below

	SP	
Weight 3	2000 kg	1500 kg
Wheel load	500 kg	375 kg

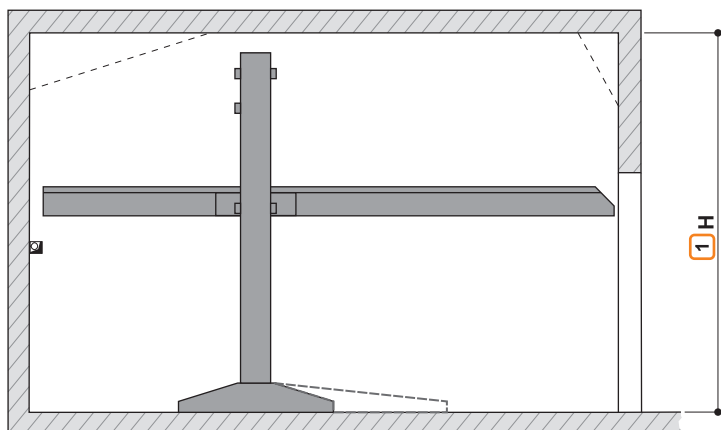
- 1 Vehicle height (see "Overview of system types & ceiling heights", page 4)
- 2 Vehicle length (see "Overview of building design", page 3)
- 3 Spare load can be subsequently up weighted to 2600 kg

Clearance gauge



Vehicle width 190 cm with platform width 230 cm. Correspondingly wider vehicles can be parked with wider platforms.

Overview of system types & ceiling heights



H: Ceiling height

1 If the ceiling is higher, correspondingly higher vehicles can be parked on the top.

Type	Vehicle height, lower	Vehicle height, upper														H - Ceiling height
		150	155	160	165	170	175	180	185	190	195	200	205	210	215	
CP61-160	150	320	325	330	335	340	345	350	355	360	365	370	375	380	385	
CP61-170	160	330	335	340	345	350	355	360	365	370	375	380	385	390	395	
CP61-180	170	340	345	350	355	360	365	370	375	380	385	390	395	400	405	
CP61-190	180	350	355	360	365	370	375	380	385	390	395	400	405	410	415	
CP61-200	190	360	365	370	375	380	385	390	395	400	405	410	415	420	425	
CP61-210	200	370	375	380	385	390	395	400	405	410	415	420	425	430	435	

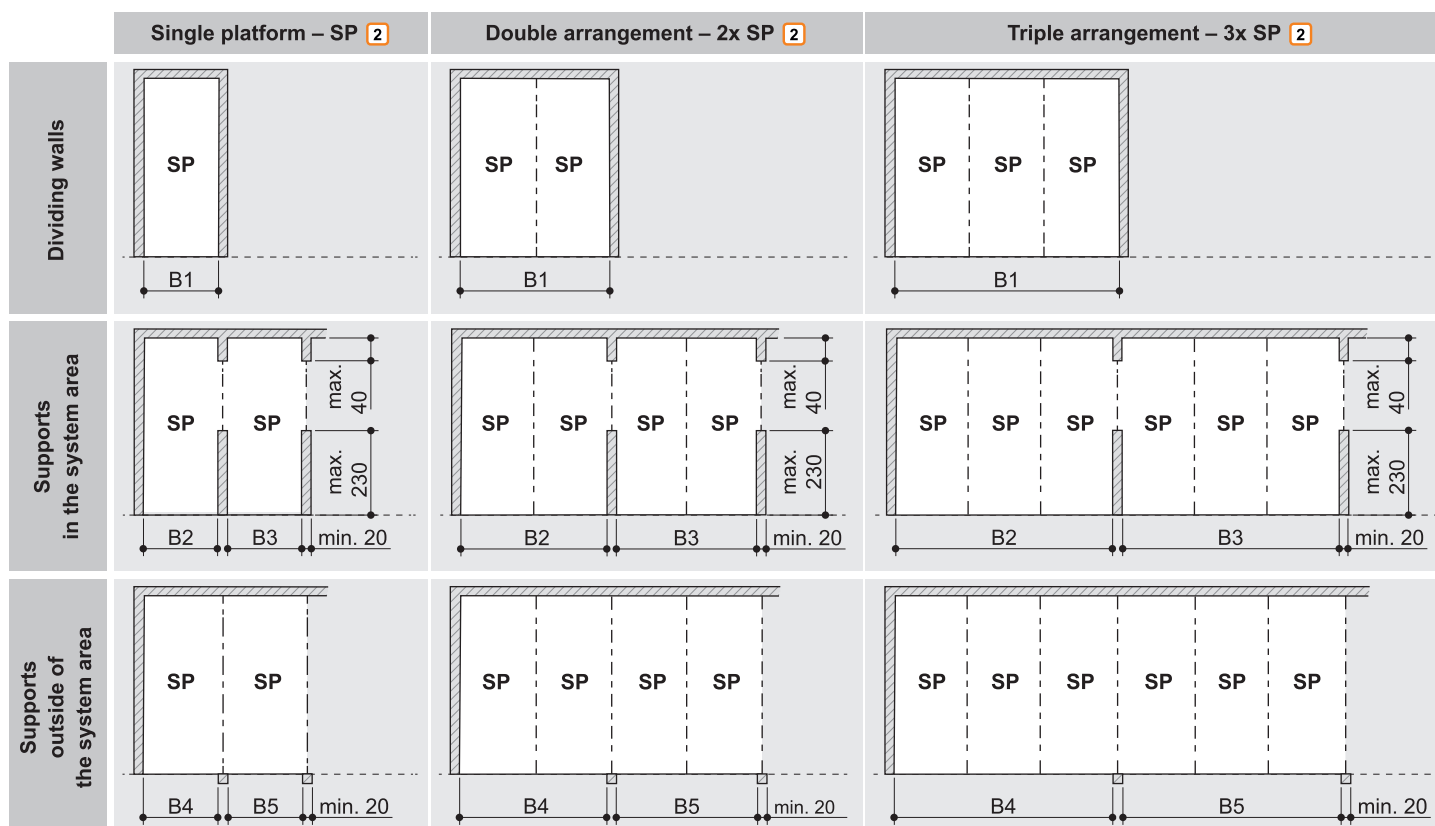
Example configuration



Example: Vehicle height, lower 170 cm and vehicle height, upper 190 cm.
Type: CP61-180
Ceiling height: 380 cm

Type	Vehicle height, lower	Vehicle height, upper														H
		150	155	160	165	170	175	180	185	190	195	200	205	210	215	
CP61-160	150	320	325	330	335	340	345	350	355	360	365	370	375	380	385	
CP61-170	160	330	335	340	345	350	355	360	365	370	375	380	385	390	395	
CP61-180	170	340	345	350	355	360	365	370	375	380	385	390	395	400	405	
CP61-190	180	350	355	360	365	370	375	380	385	390	395	400	405	410	415	

Width dimensions without door



	Clear platform width ¹	Dividing walls		Supports in the system area		Supports outside of the system area	
		B1	B2	B3	B4	B5	
SP	230	260	255	245	250	240	
	240	270	265	255	260	250	
	250	280	275	265	270	260	
	260	290	285	275	280	270	
	270	300	295	285	290	280	
2x SP	230	520	515	510	510	500	
	240	540	535	530	530	520	
	250	560	555	550	550	540	
	260	580	575	570	570	560	
	270	600	595	590	590	580	
3x SP	230	780	775	770	770	760	
	240	810	805	800	800	790	
	250	840	835	830	830	820	
	260	870	865	860	860	850	
	270	900	895	890	890	880	

- ¹ Narrower platform widths are available on request - although it should be noted that use of the parking space will be limited by the reduced width and parking will be made more difficult. In many cases, these are not considered demonstrable vehicle parking spaces - observe local regulations.
- ² If seismic loading is likely, special width dimensions apply. Please contact KLAUS Multiparking for planning documents.

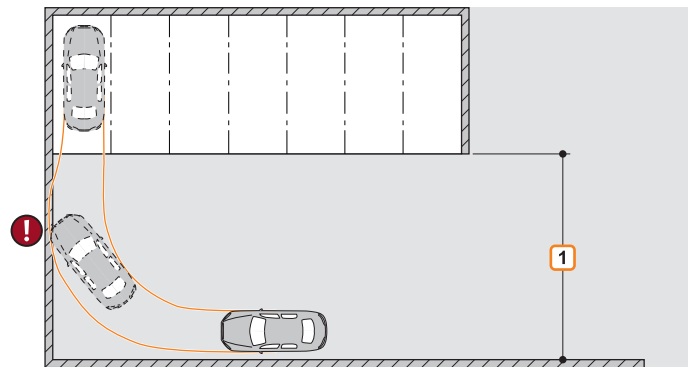
Width dimensions



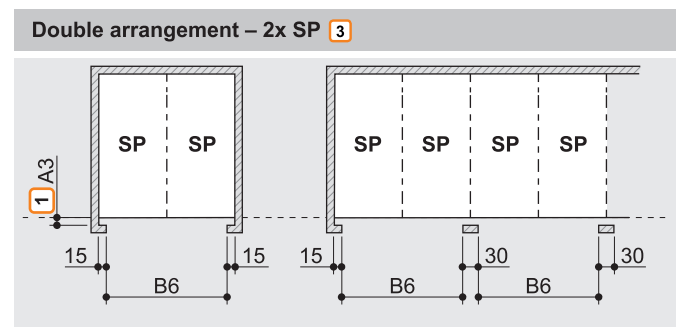
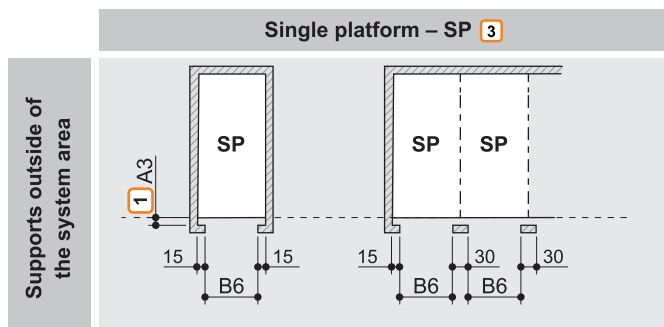
We recommend platform widths of minimum 250 cm and driving lane widths of 650 cm in order that vehicles can comfortably access the Multiparking system and enter and leave without difficulty. Narrower platforms may impede parking according to the following criteria.

- Driving lane width
- Entrance conditions
- Vehicle dimensions

1 Observe minimum driving lane width in accordance with local regulations.



Width dimensions with door



	Clear platform width ²	Passage width B6
SP	230	230
	240	240
	250	250
	260	260
	270	270

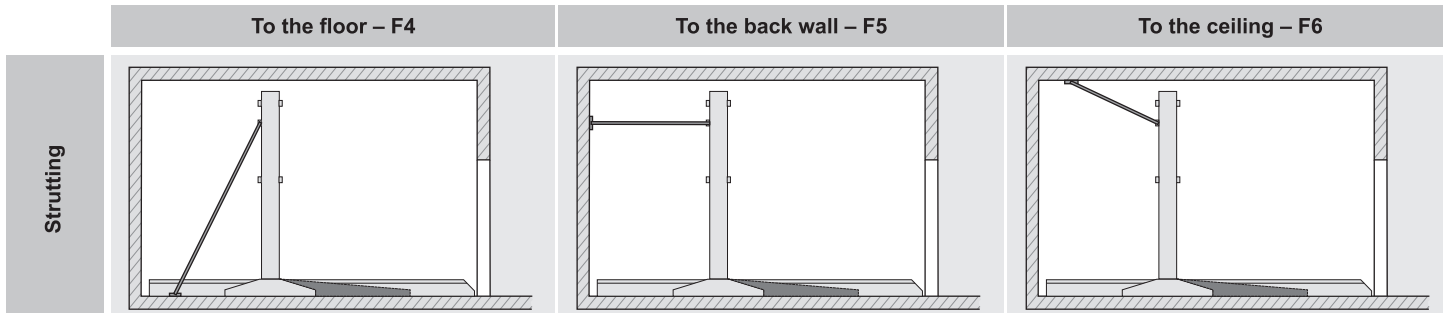
	Clear platform width ²	Passage width B6
2x SP	230	490
	240	510
	250	530
	260	550
	270	570

- 1** Door section (dimension A3 must be agreed on-site with the door manufacturer). With lateral closing doors, coordination between the door manufacturer and KLAUS Multiparking is required.
- 2** Narrower platform widths are available on request - although it should be noted that use of the parking space will be limited by the reduced width and parking will be made more difficult. In many cases, these are not considered demonstrable vehicle parking spaces - observe local regulations.
- 3** If seismic loading is likely, special width dimensions apply. Please contact KLAUS Multiparking for planning documents.

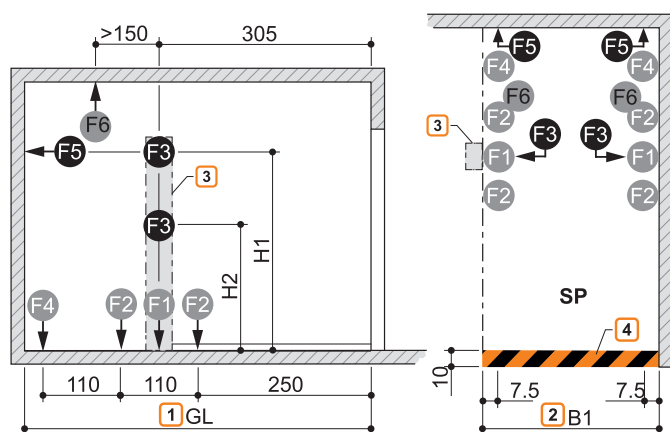
Loading schedule & strutting



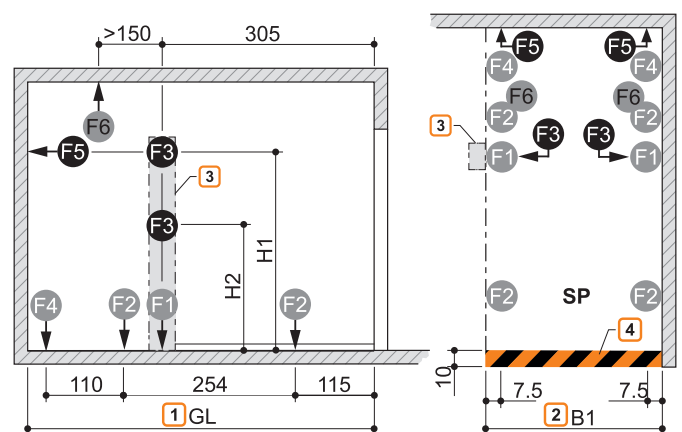
The systems are dowelled into the ground. The drill hole depth in the floor plate is approx. 15 cm, in the walls approx. 12 cm.
The floor plate and walls must be from concrete (quality min. C20/25).
The dimensions for the bearing points have been rounded. If the precise figures are required, please consult KLAUS Multiparking.
Various options are available for the strutting depending on the structural conditions.



Variant 1 - Short base column



Variant 2 - Long base column



Parking space load	F1	F2	F3	F4	F5	F6
2600 kg	+ 30,0 kN	- 4,2 kN	- 1,8 kN	- 12 kN	- 6,9 kN	- 8,2 kN
2000 kg	+ 25,0 kN	- 4,0 kN	- 1,4 kN	- 11 kN	- 5,9 kN	- 6,0 kN

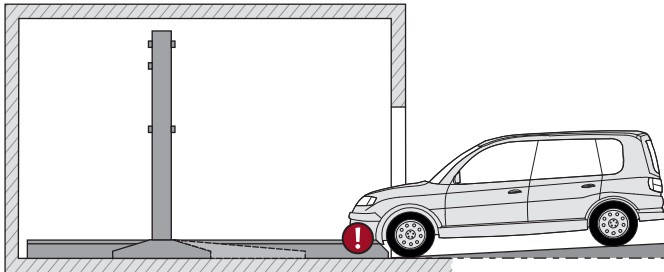
	Type					
	CP61-160	CP61-170	CP61-180	CP61-190	CP61-200	CP61-210
H1	290	290	290	320	320	320
H2	185	185	185	215	215	215

- 1 GL = building length
- 2 Width dimension B1 (see "Width dimension without door", page 6)
- 3 The system must be supported on both sides. An additional stand may be installed if there are no walls at the sides. A floor area of 50 x 30 cm is required for these stands (concrete quality min. C20/25, drill hole depth approx. 15 cm).
- 4 Marking in accordance with DIN ISO 3864 (illustration colour not consistent with DIN ISO 3864)

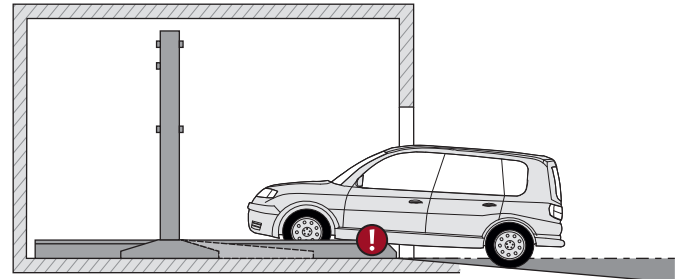
Access incline



The maximum access inclines specified in the symbol sketch must not be exceeded. Improper configuration can lead to extreme difficulty accessing the system, for which KLAUS Multiparking cannot be held liable.



max. 4% slope



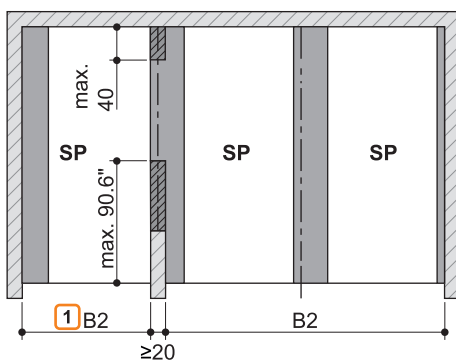
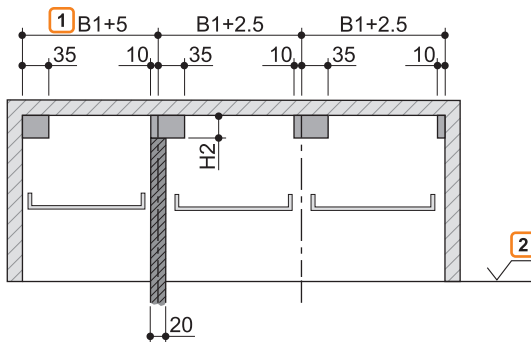
Max. 14% gradient

Clearances for installations



These clearances apply to vehicles parked forwards only, with exit on the left. The clearances must be adjusted for vehicles with exit on the right or parked in reverse.

These clearances apply where struts to the ground are used. For other variants, the clearances must be redesigned accordingly.



max. Vehicle height, upper	Type		
	CP61-160 CP61-190	CP61-170 CP61-200	CP61-180 CP61-210
150	0	10	20
155	5	15	25
160	10	20	30
165	15	25	35
170	20	30	40
175	25	35	45
180	30	40	50
185	35	45	55
190	40	50	60
195	45	55	65
200	50	60	70
205	55	65	75
210	60	70	80
215	65	75	85

1 Maße B1 und B2 (see "Width dimension with door", page 5, "Width dimension without door", page 6)

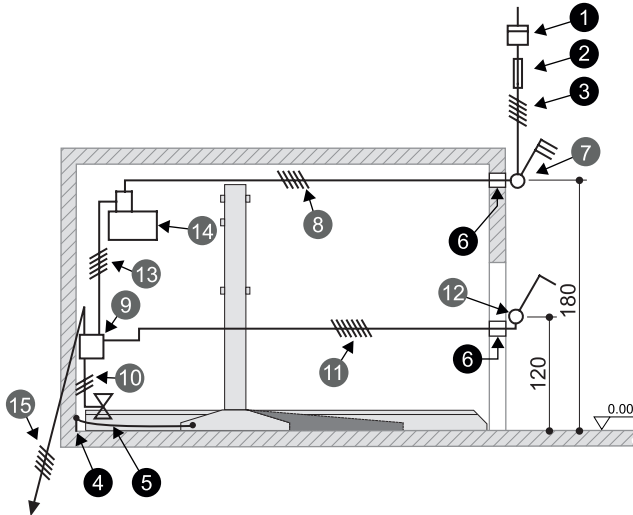
2 Entrance level

Clearance for lengthways cable routing

Clearance for vertical pipes, air ducts, etc.

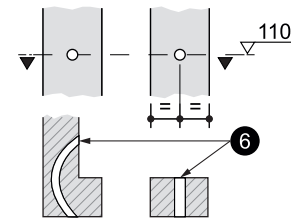
Electrical installation

Electrical installation diagram



On-site facilities for operating element

Surface-mounted operating element



Electrical specifications (services to be provided by the customer)

No.	Quantity	Designation	Position	Frequency
1	1	Power meter	In the supply cable	
2	1	Pre-fuse:		
		3x safety fuse 16 A (slow-blow) or Circuit breaker 3x 16 A (trip characteristic K or C)	In the supply cable	1x per unit
3	1	Supply cable 5 x 2.5 mm ² (3 PH+N+PE) with marked wires and protective earth ¹	to master switch	1x per unit
4	Every 10 m	Foundation earth connection	Rear wall corner of the building	
5	1	Equipotential bonding in accordance with DIN EN 60204 from foundation earth connection to system		1x per system
6	2	Empty conduit EN 25 (M25)		

Electrical specifications (KLAUS Multiparking scope of supply)

No.	Designation
7	Lockable master switch
8	Supply cable 5 x 2.5 mm ² (3 PH+N+PE) with marked wires and protective earth
9	Unit junction box
10	Control cable 3 x 0.75 mm ² (PH+N+PE)
11	Control cable 7 x 1.5 mm ² with marked wires and protective earth
12	Operating element
13	Control cable 5 x 1.5 mm ² with marked wires and protective earth
14	Hydraulic unit 3 kW, three-phase current 230/400 V / 50 Hz ¹
15	Control cable 5 x 1.5 mm ² with marked wires and protective earth to next system

¹ For outdoor installation with hydraulic unit in cabinet.

Technical information

Usage area

The system is suitable for a fixed group of users as standard. Where users change - in the upper parking spaces only - (e.g. short-term parking in office buildings or hotels), structural modifications to the Multiparking system are required. Please request a consultation if required.

Units

Low-noise, bearing-mounted hydraulic units are installed on rubber-metal blocks. Consequently, we recommend separating the garage body from the residential building.

Ambient conditions

Ambient conditions for the areas around Multiparking systems: Temperature range -10 to $+40^{\circ}$ C. Relative humidity 50 % to a maximum external temperature of $+40^{\circ}$ C. If ascent/descent times are specified, these relate to an ambient temperature of $+10^{\circ}$ C and with the system positioned immediately adjacent to the hydraulic unit. These times are increased at lower temperatures or with longer hydraulic lines.

Seismic conditions

Local seismic conditions may require special precautions such as strutting. Please contact KLAUS Multiparking for seismic reports and advice.

Building application documents

Multiparking systems generally require approval. Please observe local regulations and stipulations.

Care

To prevent corrosion damage, please observe our special cleaning and care instructions and ensure that your garage is well ventilated.

Corrosion protection

Our coating system was designed in accordance with DIN EN ISO 12944-5 Appendix A, Paint systems for corrosivity category C3. The powder coating was checked in accordance with DIN EN ISO 12944-6 and compliance with the requirements verified in test series. Zinc coatings are in accordance with DIN EN ISO 1461 and DIN EN 10346.

Railing

If there are roadways immediately adjacent to or behind the systems, the customer must provide barriers in accordance with DIN EN ISO 13857. This also applies during the construction stage.

CE conformity

The systems provided are consistent with DIN EN 14010 and the EC Machinery Directive 2006/42/EC. This system has also undergone a voluntary compliance test conducted by TÜV SÜD.

Noise protection

Standard noise protection:

In accordance with DIN 4109-1 Noise protection in high-rise - Section 9: Maximum sound pressure level in living and sleeping areas 30 dB (A).

User noise is not subject to the requirements

The following dimensions are required for adherence to this value:

- Noise protection package in accordance with quote/order (KLAUS Multiparking)
- Sound insulation dimension of the building structure of min. $R'w = 57$ dB (service to be provided by the customer)

Increased sound protection (special agreement):

In accordance with DIN 4109-5 Increased noise protection in high-rise - Section 8:

Maximum sound pressure level in living and sleeping areas 25 dB (A). User noise is not subject to the requirements.

The following dimensions are required for adherence to this value:

- Noise protection package in accordance with quote/order (KLAUS Multiparking)
- Sound insulation dimension of the building structure of min. $R'w = 62$ dB (service to be provided by the customer)

Note:

User noise is noise that can be influenced individually by the user of our Multiparking systems. This includes, e.g., accessing the platform, the slamming of vehicle doors, engine and brake noise.

Outdoor application:

The system is suitable for outdoor installation with some additional parts.

Performance specification

Description

Multiparking system for dependent parking of 2 vehicles one on top of the other. The lower vehicle parks directly on the floor plate. The lower vehicle must exit before the platform is lowered.

Upweighting to 2600 kg is subsequently possible.

Dimensions in accordance with the underlying building, width and height dimensions.

Access to the parking spaces horizontally (installation tolerance $\pm 1\%$).

Vehicle positioning in the upper parking space by positioning aid mounted on one side (to be adjusted in accordance with the operating instructions).

Control via an operating element with automatic reset by means of simultaneous key.

Operating element usually installed in front of the support or on the outside of the door reveal.

Concise instructions at each operating point.

Special dimensions must be observed in buildings with door.

Multiparking system comprising:

- 2 columns with column bases secured to the floor
- 2 sliders (with sliding guides secured to the columns)
- 1 platform
- 1 mechanical synchronisation system (for synchronised operation of the hydraulic cylinders when lifting and lowering)
- 1 hydraulic cylinder
- Dowels, screws, connectors, bolts, etc.
- The platforms/parking spaces are continuously accessible.

Platform comprising:

- Platform profiles
- Adjustable positioning aid
- Chamfered ramp
- Side beams
- Screws, nuts, washers, spacers, etc.

Hydraulic system comprising:

- Hydraulic cylinders
- Magnetic valves
- Hydraulic lines
- Bolted connections
- High-pressure hoses
- Attachments

Electrical system comprising:

- Operating element (emergency-stop, key, 1 simultaneous key per parking space)
- Junction box on wall valve
- Electrical locking

Hydraulic unit comprising:

- Hydraulic unit (low-noise, fitted to bracket and bearing mounted on rubber-metal block)
- Hydraulic oil tank
- Oil filling
- Internal gear pump
- Pump holder
- Coupling
- Three-phase motor
- Circuit protection (with thermal overload relay and control fuse)
- Test pressure gauge
- Pressure relief valve
- Hydraulic hoses (to attenuate noise transmission to the hydraulic pipes)

Services to be provided by the customer

Barriers

Barriers that may be required in accordance with DIN EN ISO 13857 where there are roadways immediately in front of, adjacent to or behind the systems. This also applies during the construction stage.

Parking space numbering

Parking space numbering, if required.

Building services systems

Any lighting, ventilation, fire-extinguishing and fire-alarm systems that may be required, plus clarification and compliance with corresponding official documentation.

Lighting

The customer must observe local regulations pertaining to the illumination of parking spaces and roadways. In accordance with DIN EN 12464-1 'Light and lighting - Lighting of work places', an illumination level of min. 200 lx is recommended for the parking spaces and operating area of the system.

Warning markings

In accordance with DIN EN 14010, the customer must provide 10 cm wide, yellow/black marking in accordance with DIN ISO 3864, in the access area in front of the contact area of the upper platform edge to identify the hazard area.

Wall openings

Any wall openings that may be required should be in accordance with the sectional drawings (see "Overview of building configuration", page 3).

Supply cable to master switch - foundation earth

The customer must lay the supply cable to the master switch during assembly. Functional capability can be checked by our engineers on site, in conjunction with the electronics engineer. If this is not possible during assembly for reasons attributable to the customer, the customer must commission an electronics engineer.

The customer must earth the steel structure with a foundation earth connection (earthing distance max. 10 m) and equipotential bonding in accordance with DIN EN 60204.

Operating element

Empty conduits and recesses for the operating element (see "Electrical installation", page 9). Consultation with KLAUS Multiparking is required when using folding doors.

Subject to technical changes

In the course of technical progress, KLAUS Multiparking shall be entitled to use newer or different technologies, systems, processes or standards to provide the services than initially offered, provided that this does not disadvantage the customer in any way.

Manufacturer:

KLAUS Multiparking Systems Pvt. Ltd.

NKB House, Survey No.98, Plot No.14,
Bhusari Colony, Pune 411 038 INDIA

+91 20 6681 5800/1

sales@klausmultiparking.in

klausindia.com

Sales office: